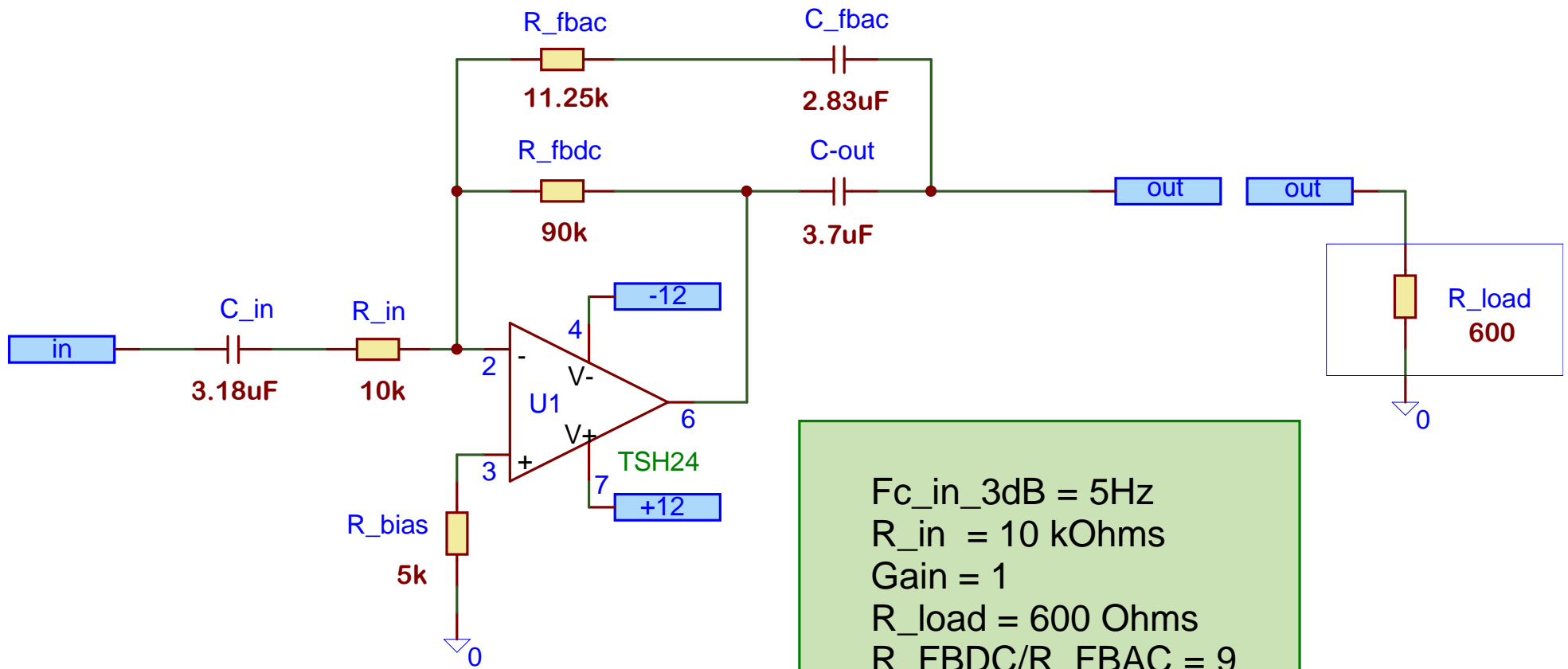


Audio analog compensated output. Audio Transmitter scheme. Gain=1 (0.0dB). R load=600 Ohms.



$F_{c\_in\_3dB} = 5\text{Hz}$   
 $R_{in} = 10\text{ kOhms}$   
 $\text{Gain} = 1$   
 $R_{load} = 600\text{ Ohms}$   
 $R_{FBDC}/R_{FBAC} = 9$   
 $F_{c\_out\_6dB} = 4.75\text{Hz}$